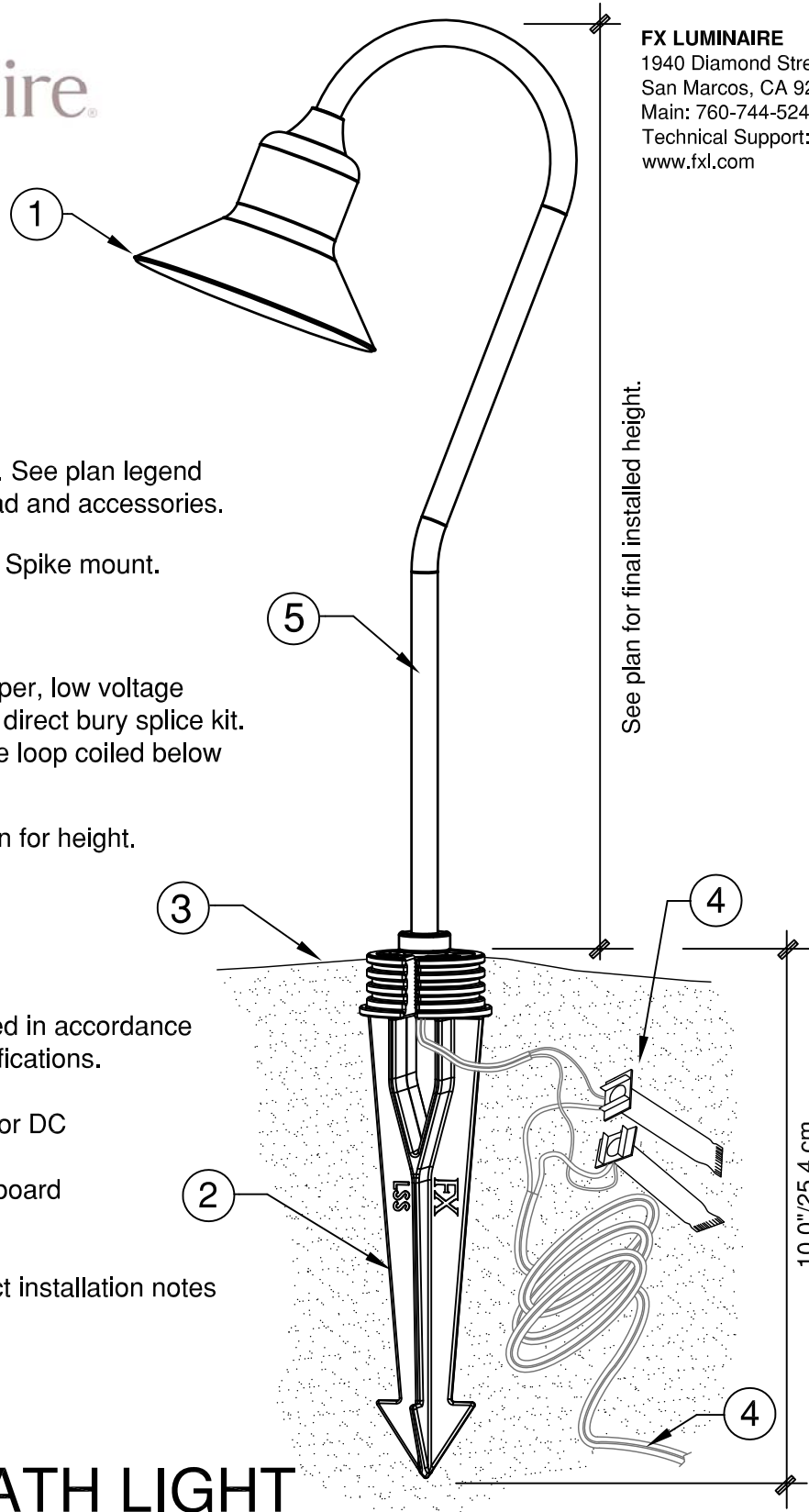


# FXLuminaire

**FX LUMINAIRE**  
 1940 Diamond Street  
 San Marcos, CA 92078  
 Main: 760-744-5240  
 Technical Support: 760-591-7383  
 www.fx1.com

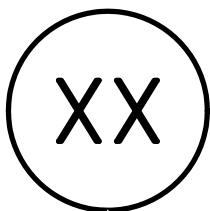


**DETAIL LEGEND**

- ① FX Luminaire TD fixture. See plan legend for wattage, beam spread and accessories.
- ② FX Luminaire Long Slot Spike mount.
- ③ Finished grade.
- ④ Direct bury, UF/UL, copper, low voltage cable with 3M DBR/Y-6 direct bury splice kit. Leave 18" minimum wire loop coiled below fixture for service.
- ⑤ Riser assembly; see plan for height.

**NOTES**

- A. Installation to be completed in accordance with manufacturer's specifications.
- B. Accepts 10-15 volts - AC or DC
- C. See plan legend for LED board and accessories.
- D. Always refer to FX product installation notes prior to installation.



**TD PATH LIGHT  
 LONG SLOT SPIKE**

NOT TO SCALE