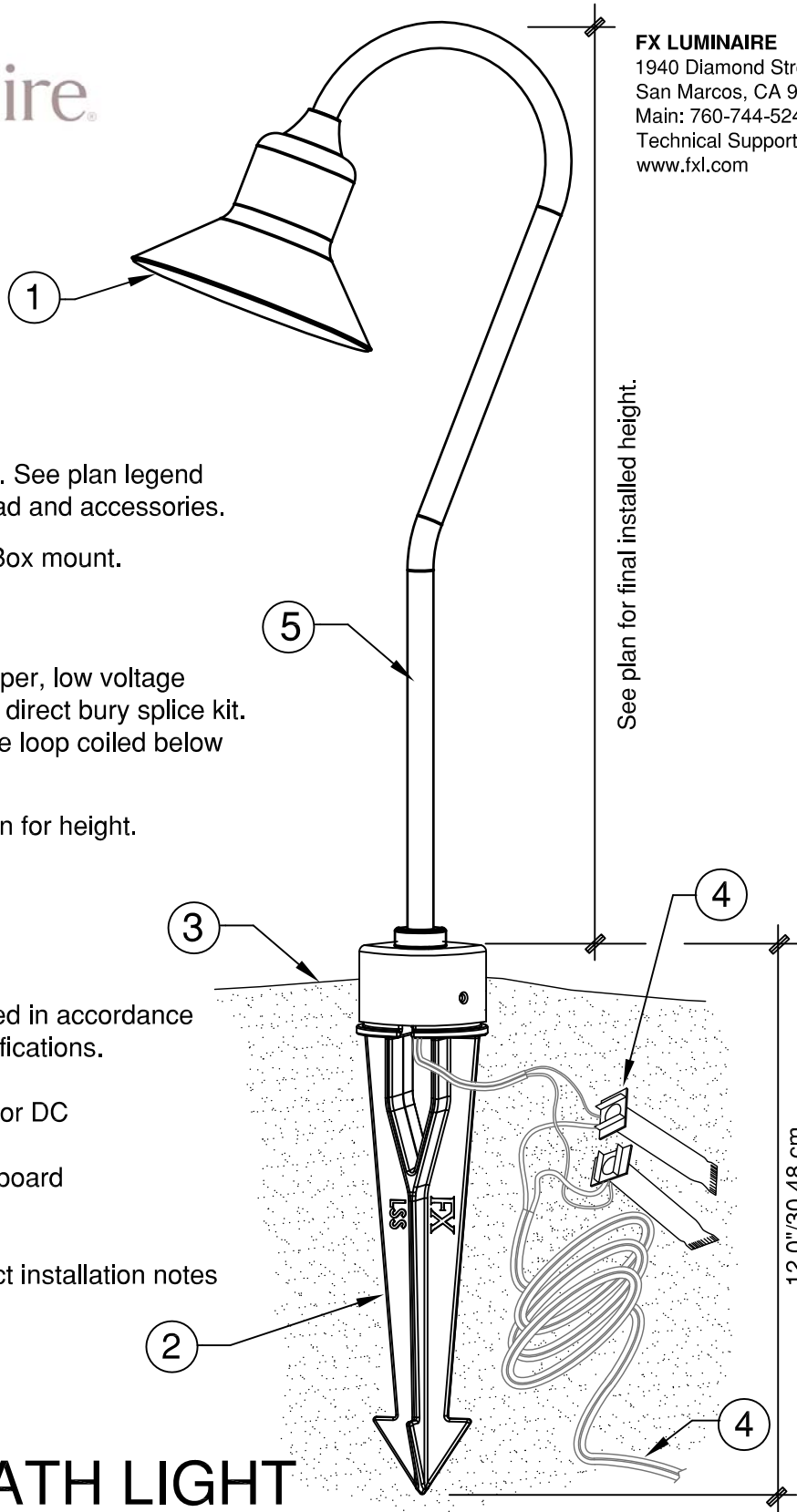


FXLuminaire.

FX LUMINAIRE
 1940 Diamond Street
 San Marcos, CA 92078
 Main: 760-744-5240
 Technical Support: 760-591-7383
 www.fxl.com

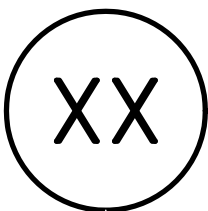


DETAIL LEGEND

- ① FX Luminaire TD fixture. See plan legend for wattage, beam spread and accessories.
- ② FX Luminaire Super J-Box mount.
- ③ Finished grade.
- ④ Direct bury, UF/UL, copper, low voltage cable with 3M DBR/Y-6 direct bury splice kit. Leave 18" minimum wire loop coiled below fixture for service.
- ⑤ Riser assembly; see plan for height.

NOTES

- A. Installation to be completed in accordance with manufacturer's specifications.
- B. Accepts 10-15 volts - AC or DC
- C. See plan legend for LED board and accessories.
- D. Always refer to FX product installation notes prior to installation.



**TD PATH LIGHT
 SUPER J-BOX**

NOT TO SCALE