

# FXLuminaire

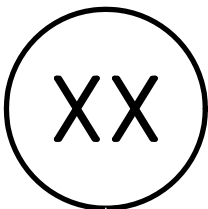
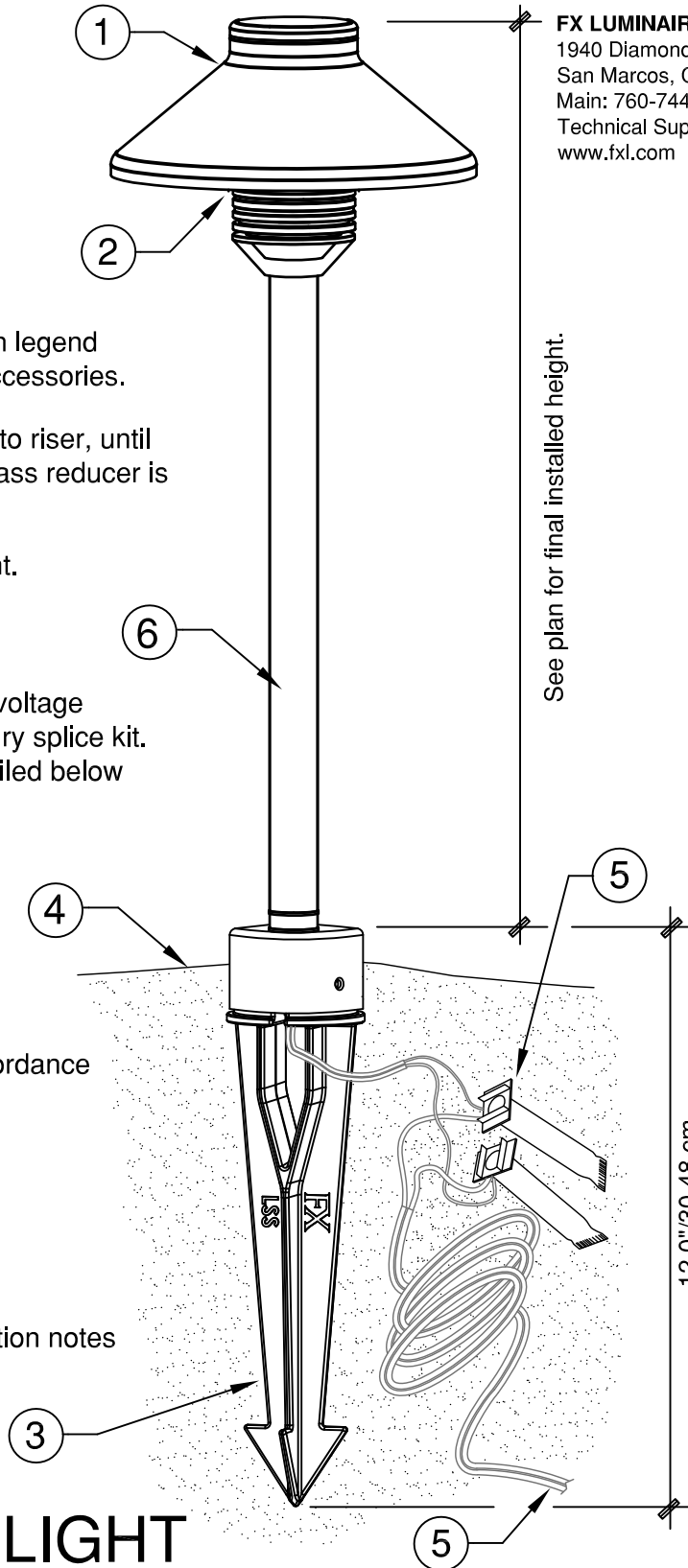
**FX LUMINAIRE**  
 1940 Diamond Street  
 San Marcos, CA 92078  
 Main: 760-744-5240  
 Technical Support: 760-591-7383  
 www.fx.com

DETAIL LEGEND

- ① FX Luminaire JS fixture. See plan legend for wattage, beam spread and accessories.
- ② Twist top assembly clockwise onto riser, until the gap between the lens and brass reducer is completely sealed.
- ③ FX Luminaire Super J-Box mount.
- ④ Finished grade.
- ⑤ Direct bury, UF/UL, copper, low voltage cable with 3M DBR/Y-6 direct bury splice kit. Leave 18" minimum wire loop coiled below fixture for service.
- ⑥ GRA mount, see plan for height.

NOTES

- A. Installation to be completed in accordance with manufacturer's specifications.
- B. Accepts 10-15 volts - AC or DC
- C. See plan legend for LED board and accessories.
- D. Always refer to FX product installation notes prior to installation.



**JS PATH LIGHT  
 SUPER J-BOX**

NOT TO SCALE