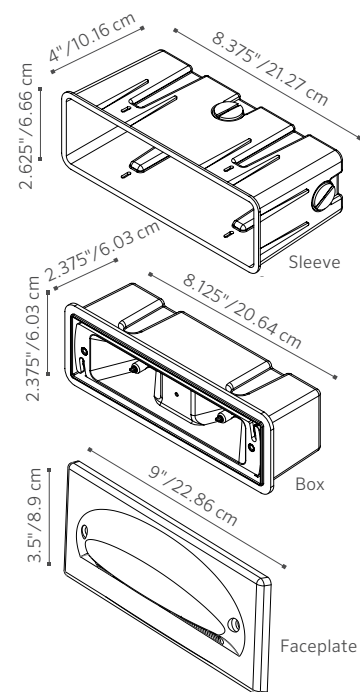


The PD was designed for areas where 1 LED isn't quite enough. The precision of its design assures that the faceplates of these permanently mounted fixtures will remain perfectly level upon completion of any installation.

PD: Wall Light

NUMBER OF LEDS:	2
HALOGEN LUMEN OUTPUT EQUIVALENT:	20 Watt
USEFUL LED LIFE (L70):	50,000 hrs avg
INPUT VOLTAGE:	10 to 15V
VA TOTAL: (Use this number to size the transformer)	4.8
WATTS USED:	4.0
LUMENS PER WATT (EFFICACY)	6.9
MAX LUMENS:	26
CCT (Ra)	80.1





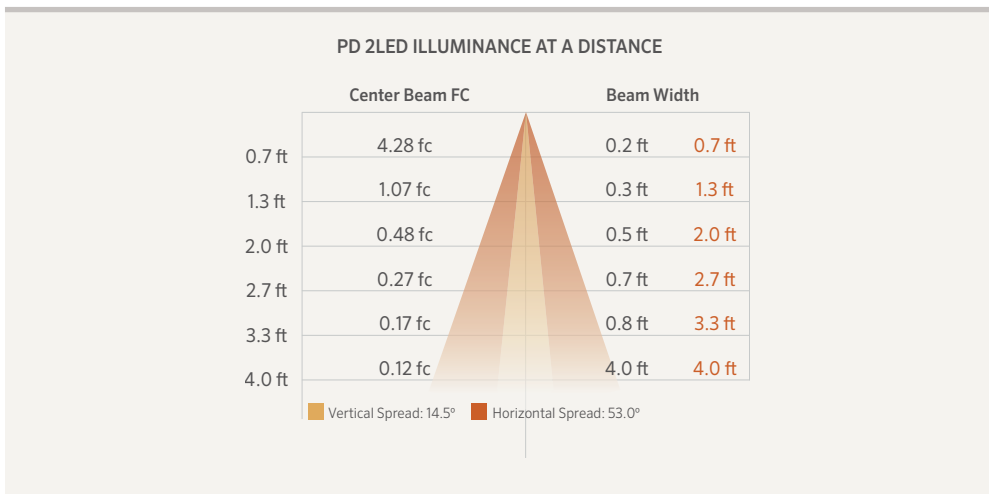
PD: Wall Light

FACTORY INSTALLED OPTIONS: Order 1 + 2 (optional) + 3 + 4

Step	Description	Code
1	FIXTURE	PD
2	OPTIONAL ZD	ZD (Refer to the Luxor page in the Lighting Control section)
3	LAMP	2LED (50,000 avg. life hours)
4	FINISH	AB*, AT*, NP*, BS, WG, FW, AL, BZ, DG, WI, VF, SB, FB, DT, CB

EXAMPLE: PD-ZD-2LED-CB = PD - ZD Option - Two 1LED Boards - Camo Bronze Finish

PHOTOMETRICS:



Beam angle is calculated using LM-79 method for SSL Luminaires:
 "Beam angle is defined as two times the vertical angle at which the intensity is 50% of the maximum."



MOUNTING FEATURES AND DIMENSIONS:

Level

Perfectly Level Every Time

The LevelX system allows the composite sleeve to be up to 3/8" out of level, in either direction, while still allowing the faceplate to be laser level.

Level

The secret: The trim attaches to the adjustable reflector assembly - not the composite sleeve or body. Heavy foam gasket keeps light spill to a minimum.

METALS

- AB** = Antique Bronze* (On Brass)
- AT** = Antique Tumbled* (On Brass)
- NP** = Nickel Plate*
- BS** = Natural Brass

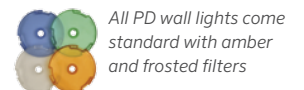
POWDER COAT

- WG** = White Gloss
- FW** = Flat White
- AL** = Almond
- BZ** = Bronze Metallic
- DG** = Desert Granite
- WI** = Weathered Iron
- VF** = Verde Speckle
- SB** = Sedona Brown
- FB** = Flat Black

COMPOSITE

- CB** = Camo Bronze
- DT** = Desert Tan

The PD includes two 1LED boards, choice of faceplate finish, 8 ft lead wire and mounting sleeve.



* May require longer lead time