

THE FX LUMINAIRE LOUVER
 MASSIMO USING SUPPLIED
 HARDWARE. MOUNT 8"–12" OFF
 FINISHED GRADE.

THE FX LUMINAIRE LOURVE
 MASSIMO INCORPORATES A LEVEL
 ADJUSTING FACEPLATE, TWO 10
 WATT MAXIMUM LAMPS.

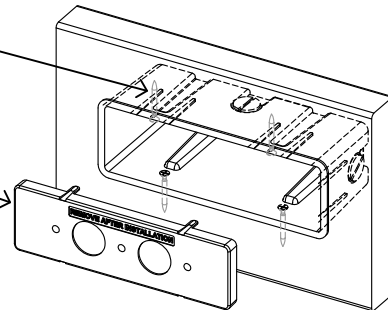
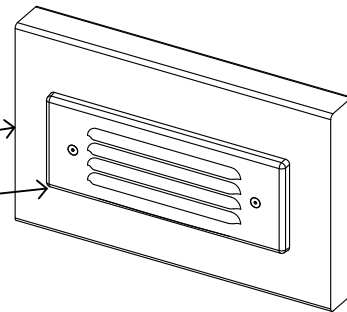
WOODEN WALL

COIL 12" SERVICE LOOP INSIDE
 SLEEVE.

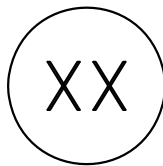
CUT A 4.625" X 2.75" REC HOLE
 THRU THE WOOD WALL TO MOUNT
 FX LUMINAIRE CANDELA PASSO.
 MOUNT SLEEVE IN PLACE USING
 1" #6 GALVANIZED DECK SCREWS.

IF WALL IS STUCCOED OR COATED
 USE THE "REUSABLE
 CONSTRUCTION" COVER TO KEEP
 CAVITY CLEAN AND CLEAR OF
 DEBRIS.

THIS FIXTURE IS DESIGNED
 FOR DOWN LIGHTING ONLY.
 DO NOT USE IN UP LIGHT
 POSITION.



SECTION/ELEVATION



LOURVE MASSIMO(LM)
 WOOD WALL MOUNT

NOT TO SCALE

FX LUMINAIRE DETAIL