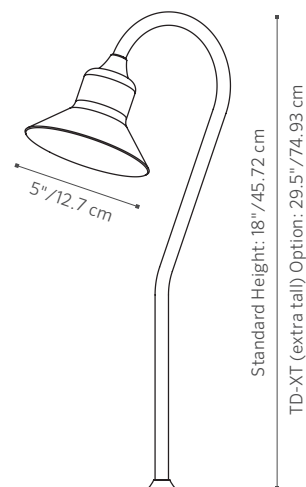




The simple lines and solid construction of the TD add functional elegance to traditional settings. Featuring solid brass and copper construction, it's built to last with a timeless style that's never out of fashion.

TD: Path Light

NUMBER OF LEDs:	1	3	6	9
HALOGEN LUMEN OUTPUT EQUIVALENT:	10 Watt	20 Watt	35 Watt	50 Watt
USEFUL LED LIFE (L70):	50,000 hrs avg	50,000 hrs avg	50,000 hrs avg	50,000 hrs avg
INPUT VOLTAGE:	10 to 15V	10 to 15V	10 to 15V	10 to 15V
VA TOTAL: (Use to size the lighting controller)	2.4	4.5	13.5	13.5
WATTS USED:	2.0	4.2	10.1	11.2
LUMENS PER WATT (EFFICACY)	38	55	51	54
MAX LUMENS:	75	218	404	530
CRI (Ra)	83	80	81	80





TD: Path Light

FACTORY INSTALLED OPTIONS: Order 1 + 2 (optional) + 3 + 4 (optional) + 5

Step	Description	Code
1	FIXTURE	TD
2	OPTIONAL ZD	ZD (Refer to the Luxor page in the Lighting Control section)
3	LAMP	1LED, 3LED, 6LED & 9LED (50,000 avg. life hours)
4	OPTIONAL RISER EXTENSION	XT (29.5" riser, standard riser is 18")
5	FINISH	AB*, AT*, CU, NP*, WG, FW, AL, BZ, DG, WI, VF, SB, FB

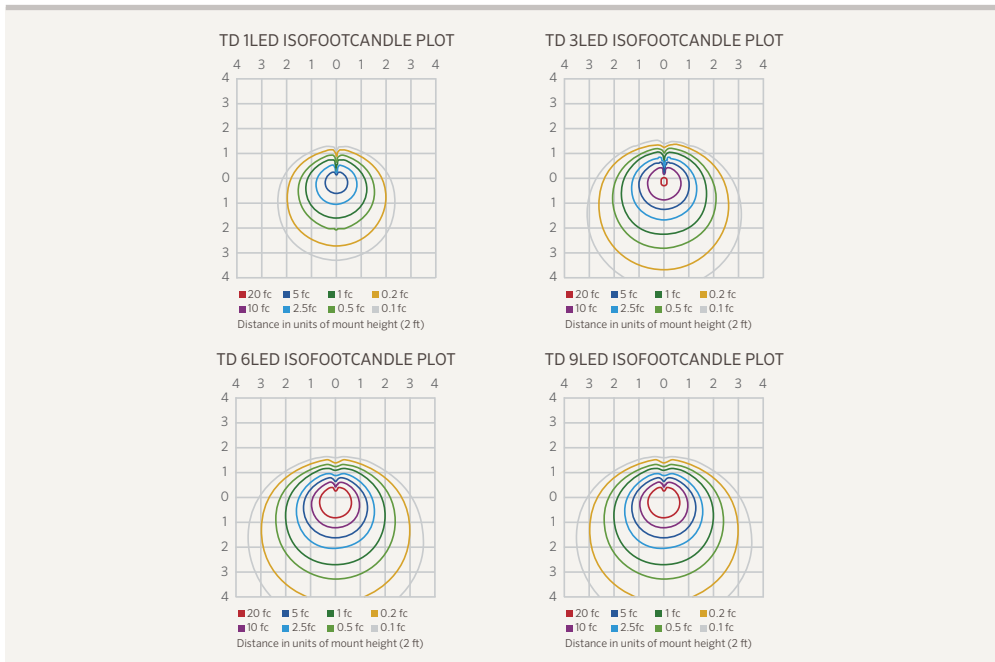
EXAMPLE: TD-ZD-9LED-XT-BZ = TD - ZD Option - 9 LED Board - 29.5" Riser - Bronze Metallic Finish

FIELD INSTALLED OPTIONS: Order Individually

Mounting Options	
Long Slot Spike (250015840000) 2.5" x 10" Included ▶	<p>Long Slot Spike Super Slot Spike Super J-Box XX** Post Mount XX**</p>
Super Slot Spike (753900) 2" x 10"	
SuperJ-Box (SJ-XX**) 2.5" x 12"	
Post Mount (PM-XX**) 2.5" x 13"	

EXAMPLE: 753900 = Super Slot Spike

PHOTOMETRICS:



The TD includes your choice of LED board, riser size, finish, 5 ft. lead wire and a Long Slot Spike.

METALS

- AB** = Antique Bronze* (On Copper)
- AT** = Antique Tumbled* (On Copper)
- CU** = Copper
- NP** = Nickel Plate*

POWDER COAT

- WG** = White Gloss
- FW** = Flat White
- AL** = Almond
- BZ** = Bronze Metallic
- DG** = Desert Granite
- WI** = Weathered Iron
- VF** = Verde Speckle
- SB** = Sedona Brown
- FB** = Flat Black

All TD path lights come standard with amber, green, blue and frosted filters

* May require longer lead time
 ** Denotes finish code

