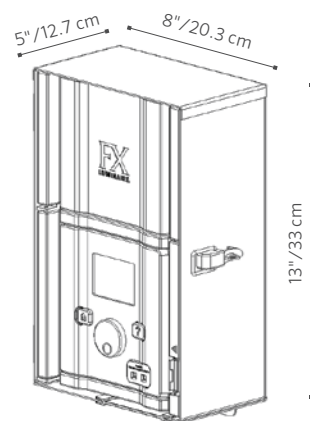




*With Luxor controlling an LED landscape lighting system, lights don't simply turn on and off. They come alive. Luxor offers both zoning and dimming capabilities that provide virtually limitless design possibilities.*

## LUXOR: Lighting Controller

MODELS:	150 or 300 Watt
FINISHES:	Stainless Steel or Matte Gray Powder Coat
DEPTH:	5" / 12.7 cm
WIDTH:	8" / 20.3cm
HEIGHT:	13" / 33 cm





# LUXOR: Lighting Controller

**FACTORY INSTALLED OPTIONS:** Order 1 + 2 + 3

Step	Description	Code
1	TRANSFORMER	LZD
2	SIZE	150, 300
3	FINISH	SS, M

EXAMPLE: LZD-150-M = Luxor Transformer -150W - Matte Gray Finish

**FIELD INSTALLED OPTIONS:** Order individually

Description	Code
Wi-Fi module add-on with antenna	FXWIFIMOD
Light Assignment Module for iOS & Android	LAM
Luxor Faceplate Mount	LUXORFPMNT

EXAMPLE: LAM = Light Assignment Module

**FEATURES:**

- Up to 250 independently adjustable lighting groups can be created
- Compatible with FX LED ZD lights only
- All groups can be turned on independently and dimmed from 1-100%
- Utilizes FX Luxor Communication Technology to connect lights to the controller
- User interface includes a full color LCD display for easy setup, maintenance and adjusting of groups
- Uses event based scheduling, which allows a single group of lights to change dimming percentages throughout the night
- Fully removable facepack, uses a RJ-11 cable that is extendable up to 1000'
- Simple two-wire configuration for easy installation and adjusting
- Fixture addressing takes place on the front of the facepack for easy access
- No matter where a light is within a system, it can communicate with the transformer to receive its schedule, intensity, and group
- Astronomical Timing Function with Map Placement
- Available in 150 & 300 Watts
- Stainless Steel or Matte Gray powder coated cabinet finishes

**METALS**

 SS = Stainless Steel

**POWDER COAT**

 M = Paintable Matte Gray

The Luxor is available in 150 or 300 watt options, choice of stainless steel or matte gray powder coat and a 3' power cord.

**WI-FI-OPTIONS**



Smartphone with Luxor Wi-Fi App to wirelessly adjust lighting at any time

Smartphone with Light Assignment Module (LAM) which wirelessly assigns fixtures to groups using ActivAssign™ technology

